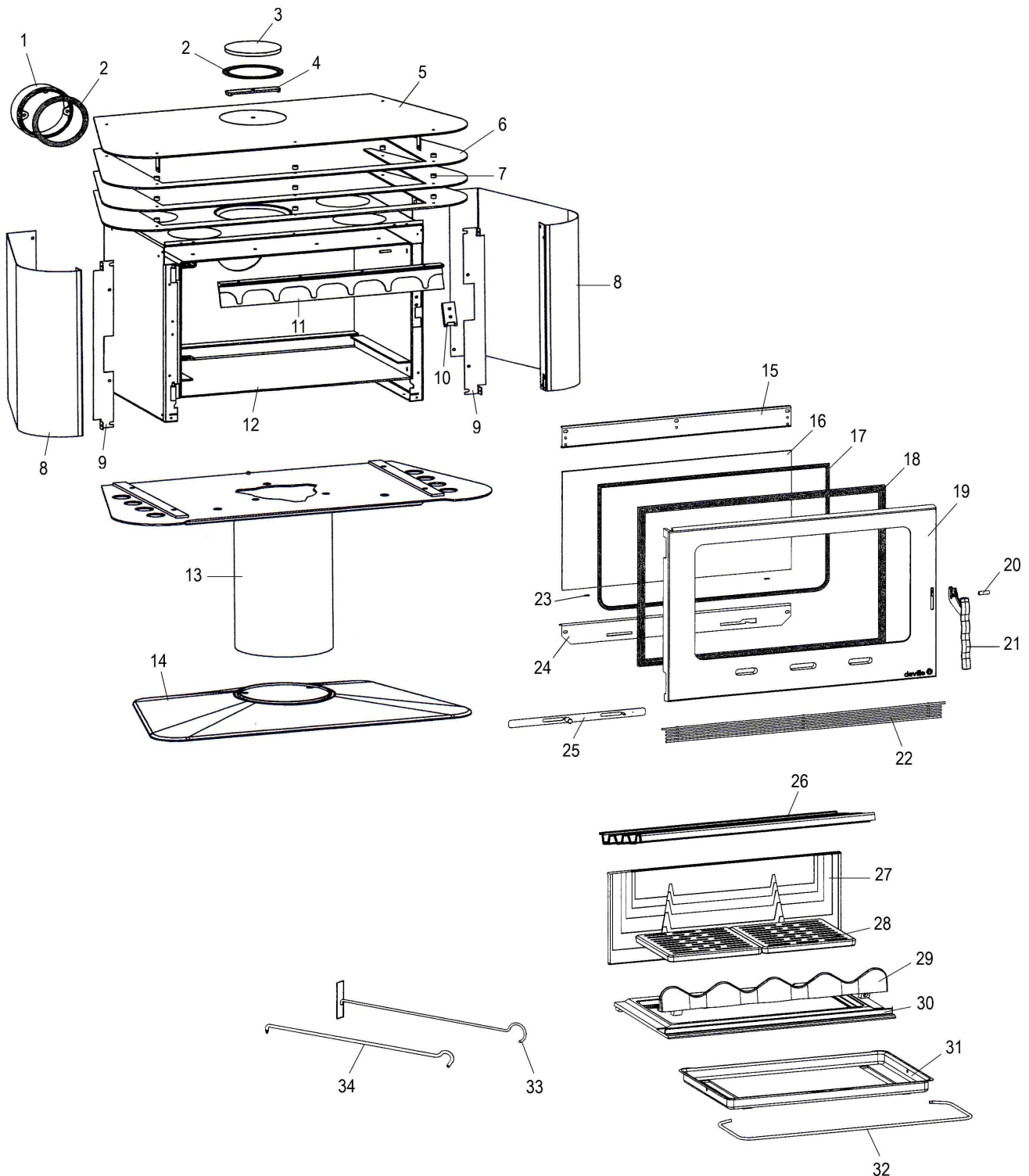


**Eclaté**

**POELE BOIS AUREA**

ROUGE C07726.03 - BLEU C07726.04 - JAUNE C07726.07

GRIS C07726.09 - CHROME C07726.11



Propriété de DEVILLE - Reproduction interdite - Tous droits réservés - Document non contractuel susceptible d'être modifié sans préavis

**Eclaté**

 Date d'application : 01.07.03  
 Indice A

**POELE BOIS AUREA**
**ROUGE C07726.03 - BLEU C07726.04 - JAUNE C07726.07**
**GRIS C07726.09 - CHROME C07726.11**

| REP. | DESIGNATION              | REF. PIECE             | 1ère URG | REP. | DESIGNATION       | REF. PIECE | 1ère URG |
|------|--------------------------|------------------------|----------|------|-------------------|------------|----------|
| 1    | Buse                     | P0T07562               |          | 29   | Chenet            | P0050954   | X        |
| 2    | Joint de buse (2)        | P0046738               | X        | 30   | Corbeille         | P0050953   | X        |
| 3    | Tampon de buse           | P0T20434/P09H          |          | 31   | Cendrier          | P0019785   |          |
| 4    | Etrier de tampon de buse | P0020437               |          | 32   | Anse de cendrier  | P0020075   |          |
| 5    | Ens. dessus              | P0051307/P06B          |          | 33   | Raclette          | P0013447   |          |
| 6    | Dessus intermédiaire (3) | P0050985/P06A          |          | 34   | Poignée tisonnier | P0045661   |          |
| 7    | Entretoise (15)          | P0022283               |          |      |                   |            |          |
| 8    | Panneau rouge (2)        | <b>A</b> P0051260/P03A |          |      |                   |            |          |
|      | Panneau bleu (2)         | <b>B</b> P0051260/P04H |          |      |                   |            |          |
|      | Panneau jaune (2)        | <b>C</b> P0051260/P07B |          |      |                   |            |          |
|      | Panneau noir (2)         | <b>D</b> P0051260/P06B |          |      |                   |            |          |
|      | Panneau gris métal (2)   | <b>E</b> P0051260/P11B |          |      |                   |            |          |
| 9    | Equerre de panneau (2)   | P0051261               |          |      |                   |            |          |
| 10   | Ens. verrou              | P0051264/P06A          |          |      |                   |            |          |
| 11   | Avaloir usiné            | P0U20181               |          |      |                   |            |          |
| 12   | Ens. corps de chauffe    | P0051271               |          |      |                   |            |          |
| 13   | Ens. colonne             | P0051310/P06B          |          |      |                   |            |          |
| 14   | Pied                     | P0T50952/P06B          |          |      |                   |            |          |
| 15   | Guide d'air              | P0028061/P09E          |          |      |                   |            |          |
| 16   | Verre de porte           | P0050975               | X        |      |                   |            |          |
| 17   | Kit tresse - Ø6 - Noir   | D0045937               | X        |      |                   |            |          |
| 18   | Kit tresse - Ø15 - Noir  | D0045928               | X        |      |                   |            |          |
| 19   | Porte                    | P0T50950/P06B          |          |      |                   |            |          |
| 20   | Goupille cannelée - 8-24 | P0027091               |          |      |                   |            |          |
| 21   | Poignée                  | P0T50951/P09P          |          |      |                   |            |          |
| 22   | Grille de finition       | P0050987/P06B          |          |      |                   |            |          |
| 23   | Joint de verre (0,03 m)  | P0031148               | X        |      |                   |            |          |
| 24   | Support volet            | P0050974               |          |      |                   |            |          |
| 25   | Ens. volet               | P0046111/P09E          |          |      |                   |            |          |
| 26   | Déфлекteur               | P0047202               | X        |      |                   |            |          |
| 27   | Plaque arrière           | P0020180               | X        |      |                   |            |          |
| 28   | Grille (2)               | P0045915               | X        |      |                   |            |          |

**A:** C07726.03

**B:** C07726.04

**C:** C07726.07

**D:** C07726.09

**E:** C07726.11